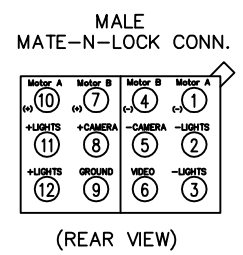
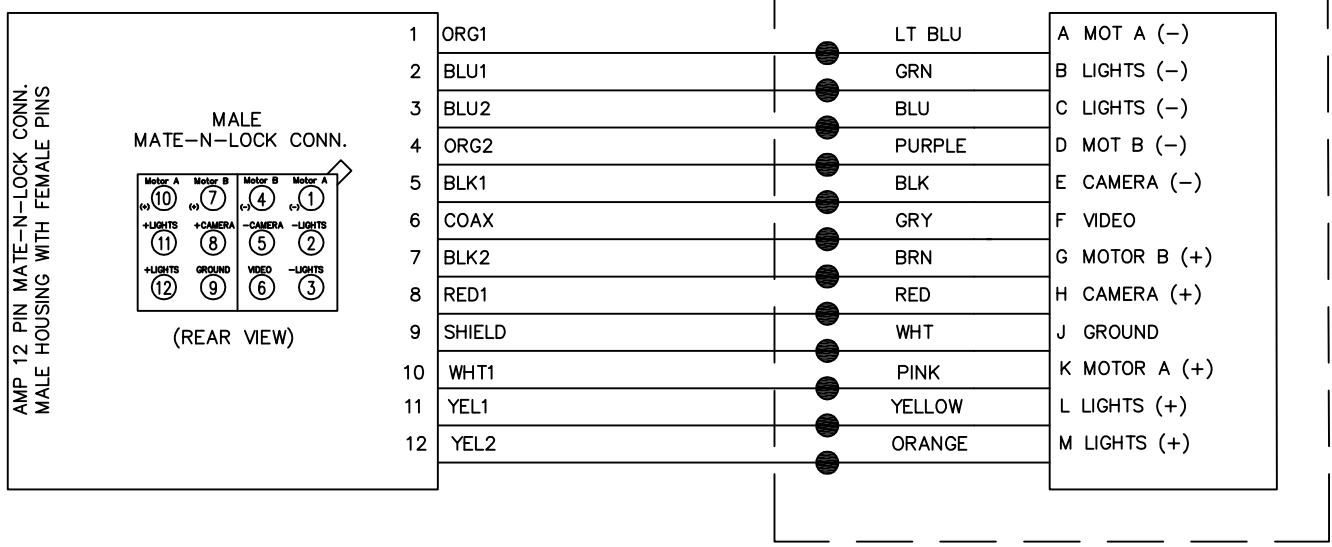
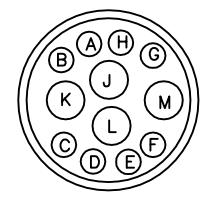


REVISIONS				
REV.	DESCRIPTION	BY	DATE	APPROVED
A	REVISED MATE-N-LOK PIN OUT	SPL	4/15/08	JB
B	REVISED TO MATCH BENDIX WIRING	SPL	10/14/08	JB
C	SWITCHED WIRE COLORS BACK TO ORIGINAL	SPL	12/20/08	WB

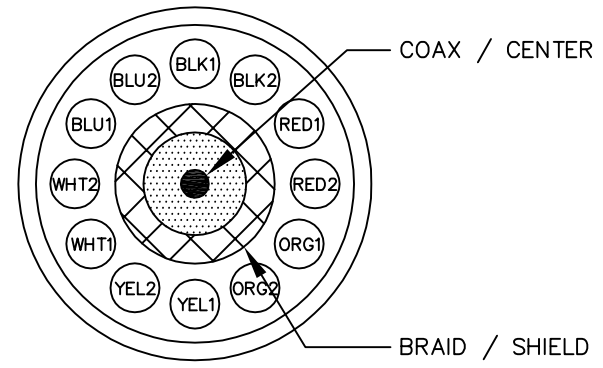
IN TERMINATION



INVERT FEMALE (MALE PLUG/FEMALE PINS)



FRONT VIEW
08-020-230\001



VIDEO CABLE
(LOGO GREEN CABLE 12+2 CONDUCTOR)
(WHITE 2 NOT USED)

INSTRUCTIONS SEE DWG. 200-001-231 FOR
12 PIN TERMINATION PROCEDURE

PROPRIETARY INFORMATION <small>THE INFORMATION CONTAINED IN THIS DOCUMENT IS THE PROPERTY OF OPTICAL ROBOTICS, INC. & MAY NOT BE REPRODUCED OR TRANSMITTED WITHOUT THE EXPRESS WRITTEN CONSENT OF OPTICAL ROBOTICS, INC.</small>					OPTICAL ROBOTICS, INC. 4806 Wright Dr., Annex C Smyrna, GA 30082	
DIMENSIONS ARE IN INCHES UNLESS OTHERWISE SPECIFIED TOLERANCE AS BELOW UNLESS SPECIFIED AT THE DIMENSIONED AREA			GROUP	NAME	DATE	12 PIN CABLE TERMINATION FOR GREEN CABLE FILE: Z:\STDDWG\ELECT\10299.dwg PROJECT ELECTRICAL DRAWING No. 100-000-299 SCALE: N.T.S. REV. C SHT. 1 OF 1
1 PLACE DEC.	±.06	CHECKED	DRAWN BY: SPL		3/7/07	
2 PLACE DEC.	±.010	PROJECT ENGINEERING				
3 PLACE DEC.	±.005	MECHANICAL DESIGN				
ANGLES	±.5°	INDUSTRIAL DESIGN				
<small>FILES NOT DIMENSIONED & FINISHED ROUNDS NOT DIMENSIONED TO INCLUDE</small>			CLIENT APPROVAL:			
<small>PREPARED BY COBRA TECHNOLOGIES LLC, 4806-C WRIGHT DRIVE, SMYRNA, GA. 30082</small>						