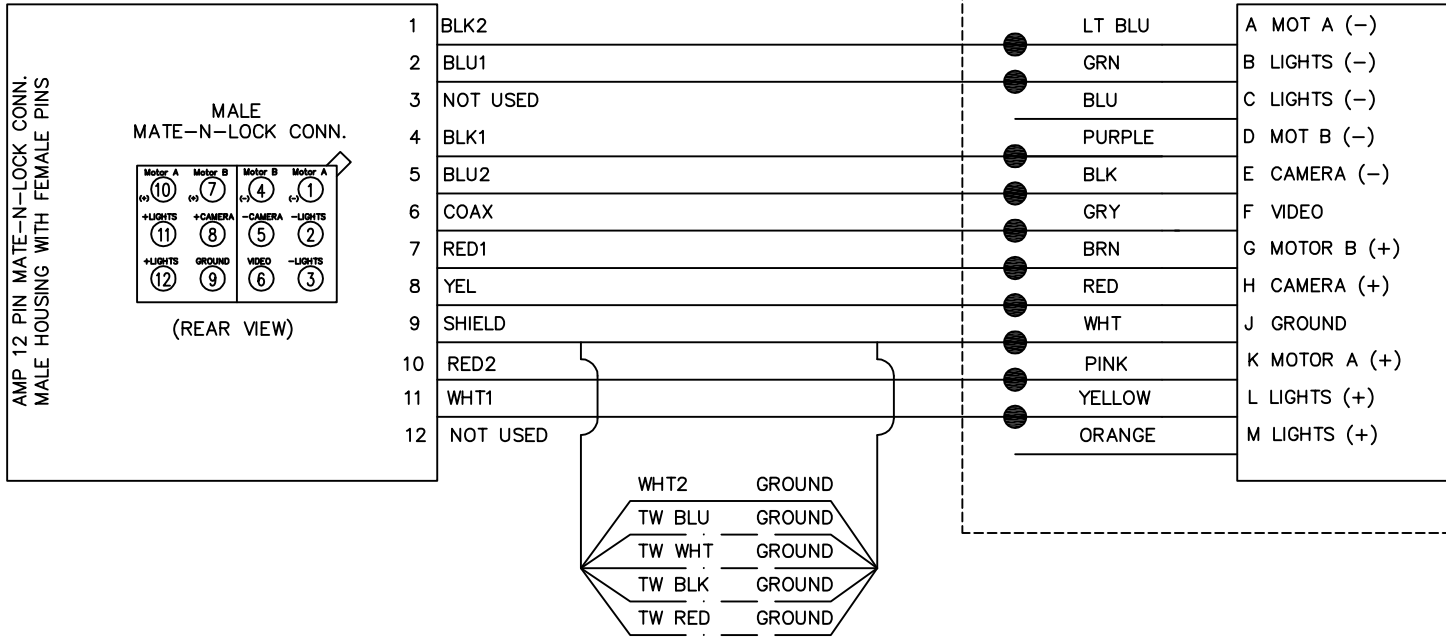
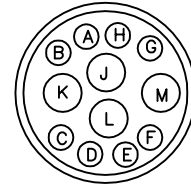


REVISIONS				
REV.	DESCRIPTION	BY	DATE	APPROVED
1.	REVISED TO MATCH BENDIX WRING	SPL	10/14/08	JB
2.	SWITCHED WIRE COLORS BACK TO ORIGINAL	SPL	12/20/08	WB

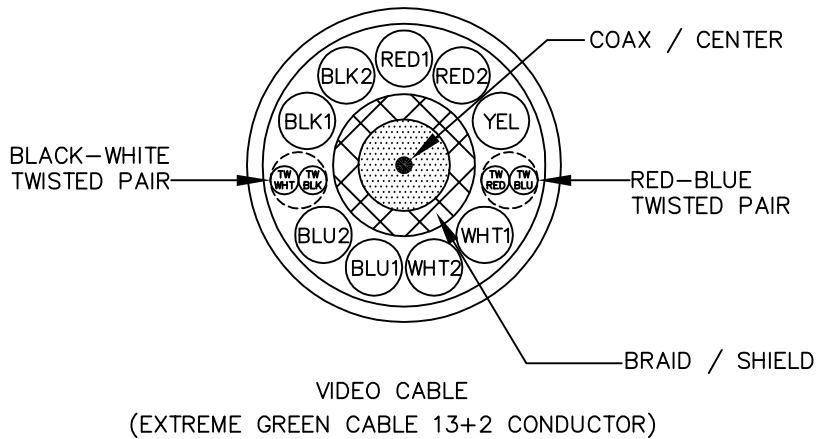
IN TERMINATION




INVERT FEMALE  
(MALE PLUG/FEMALE PINS)



FRONT VIEW  
08-020-230\001



INSTRUCTIONS SEE DWG. 200-001-231 FOR  
12 PIN TERMINATION PROCEDURE

PROPRIETARY INFORMATION				 <b>OPTICAL ROBOTICS, INC.</b> 4806 Wright Dr., Annex C Smyrna, GA 30082	
<small>THE INFORMATION CONTAINED IN THIS DOCUMENT IS THE PROPERTY OF OPTICAL ROBOTICS, INC. &amp; MAY NOT BE REPRODUCED OR TRANSMITTED WITHOUT THE EXPRESS WRITTEN CONSENT OF OPTICAL ROBOTICS, INC.</small>					
DIMENSIONS ARE IN INCHES UNLESS OTHERWISE SPECIFIED TOLERANCE AS BELOW UNLESS SPECIFIED AT THE DIMENSIONED AREA		GROUP	NAME	DATE	12 PIN CABLE TERMINATION FOR EXTREME GREEN CABLE  FILE: Z:\STDDWG\ELECT\10301.dwg PROJECT ELECTRICAL DRAWING No. 100-000-301 SCALE: N.T.S. REV. 2 SHT. 1 OF 1
1 PLACE DEC.	±.06	CHECKED			
2 PLACE DEC.	±.010	PROJECT ENGINEERING			
3 PLACE DEC.	±.005	MECHANICAL DESIGN			
ANGLES	±.5°	INDUSTRIAL DESIGN			
<small>FILES NOT DIMENSIONED &amp; FINISHED ROUNDS NOT DIMENSIONED TO INCLUDE</small>					
<small>PREPARED BY COBRA TECHNOLOGIES LLC, 4806-C WRIGHT DRIVE, SMYRNA, GA. 30082</small>					